

## RESIDENTIAL & FRENCH DOORS ENQUIRY/ORDER FORM

### Customer Information

Company: .....

Address: .....

..... Postcode: .....

Tel: .....

Fax: .....

Contact Name: .....

Ref: .....

Email: .....

### \*\*\*UNIQUE USE ONLY\*\*\*

Requested Delivery Date: .....

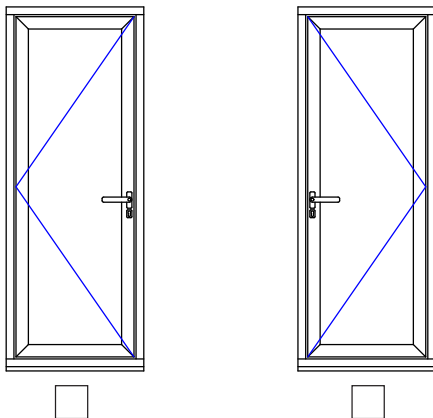
Order Number: .....

Page  of

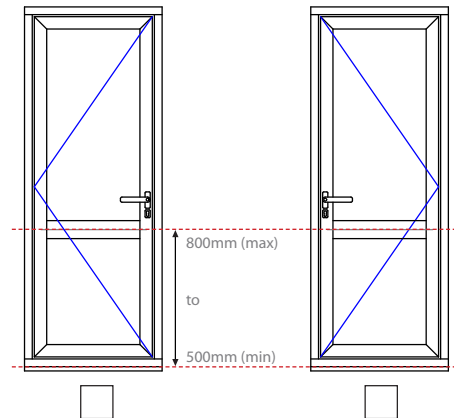
Quote	<input type="text"/>
Order	<input type="text"/>

### AVAILABLE DOOR STYLES (Viewed from outside. Please tick your choice.)

#### RESIDENTIAL DOOR (Viewed from outside)

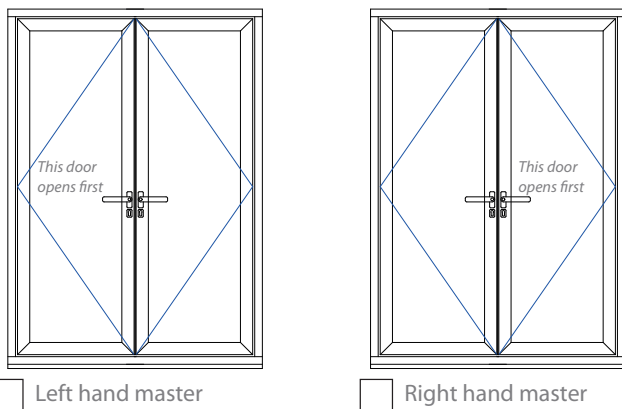


#### RESIDENTIAL DOOR with MIDRAIL (Viewed from outside)



**Please note:**  
 Triple glazing is not available with midrail options on either residential or French doors

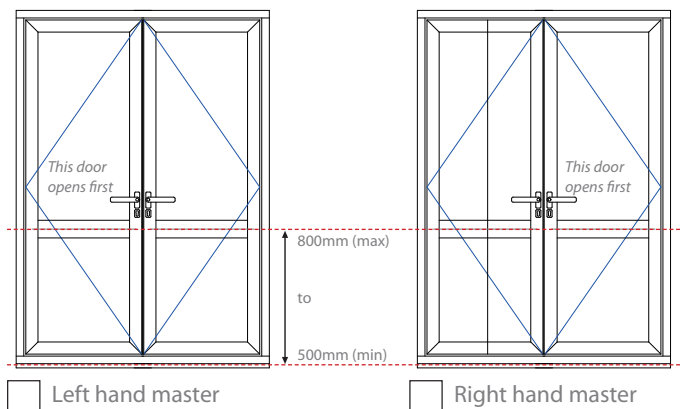
#### FRENCH DOOR (Viewed from outside)



Left hand master

Right hand master

#### FRENCH DOOR with MIDRAIL (Viewed from outside)



Left hand master

Right hand master

### DOOR DIMENSIONS

Width: ..... mm

Height inc. Sill: ..... mm

Midrail Height: ..... mm  
 (from underside of frame ignoring Sill option)

### MIN/MAX FRAME SIZES

	Single	French
min width	700mm	1200mm
max width	1100mm	2200mm
min height	2000mm	2000mm
max height	2400mm	2400mm

## RESIDENTIAL & FRENCH DOORS ENQUIRY/ORDER FORM

Page  of

**OPENING IN/OUT**

Open in     Open out

**SILL TYPE**

Part M low threshold\*

Part M low threshold ramp/cover\*

Part M low threshold ramp/ramp\*


Standard integrated 120mm sill (*Outward opening only*)


Frame + 150mm sill\*\*

Frame only

\*All Silver Anodised Aluminium.  
 \*\*Part M low threshold is not compatible with 150mm sill.

**EXTERNAL STYLING**

Pencil Round 

Squared 

\*44mm Triple Glazed - Pencil Round only

**FRAME COLOUR**

<b>External:</b>	<b>Internal:</b>
<input type="checkbox"/> White <input type="checkbox"/> Cream	<input type="checkbox"/> White <input type="checkbox"/> Cream
<input type="checkbox"/> Grey <input type="checkbox"/> Black	<input type="checkbox"/> Grey <input type="checkbox"/> Black
<input type="checkbox"/> Special RAL* RAL No. ....	<input type="checkbox"/> Special RAL* RAL No. ....
<small>*Special RAL will require extended lead time</small>	<small>*Special RAL will require extended lead time</small>

**HARDWARE**

**WarmCore**

Silver

Black

Brushed Graphite

Magnets are colour matched.  
 Locks/keeps are Anodised Silver.  
 Roller units are Black Anodised powder finish.  
 Brushed Graphite uses Anodised Black hinges.

**OPTIONAL LEVER/LEVER**

**Lever/Lever Handles**

Silver

Black

Brushed Graphite

Only fill in this section if  
 Lever/Lever style handles  
 are required on traffic doors.

**GLAZING BEAD**

Squared/Squared - 28mm - 4 Sides

Squared/Squared - 44mm - 4 Sides

**GLAZING OPTIONS**


(All Toughened)

Standard double glazed - 28mm (1.5 W/m<sup>2</sup>K U-value\*)

Celsius double glazed - 28mm (1.4 W/m<sup>2</sup>K U-value\*)

Triple glazed - Not available with midrail options - 44mm (1.0 W/m<sup>2</sup>K U-value\*)

**Add Secured by Design upgrade**

 Standard double glazed (Laminated) - 28mm (1.5 W/m<sup>2</sup>K U-value\*)

\*Figures quoted are whole door U-values based on BFRC standard door

**LETTERPLATE**

Black

Silver    Letterplate in midrail only.

Chrome



**LEVER/LEVER HANDLES  
 AVAILABLE  
 NOW**

Gross Inc. V.A.T.: £ \_\_\_\_\_ Cash / Chq / CC / Debit    I agree that the balance will be paid in full by the due date:

Deposit: £ \_\_\_\_\_    Balance: £ \_\_\_\_\_    Signed \_\_\_\_\_    Date \_\_\_\_\_